



HBN-Teknik A/S

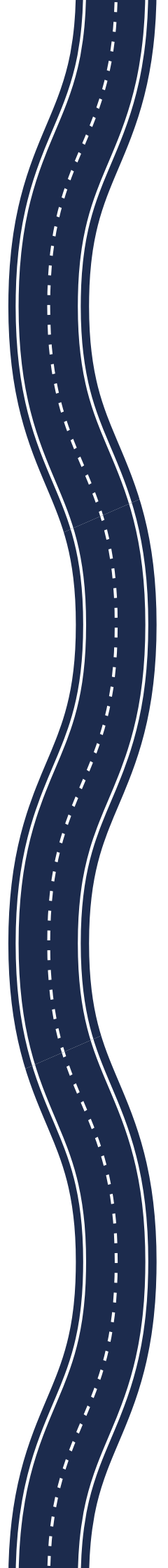
Automotive Solutions in Composites

TECHNICAL CATALOGUE



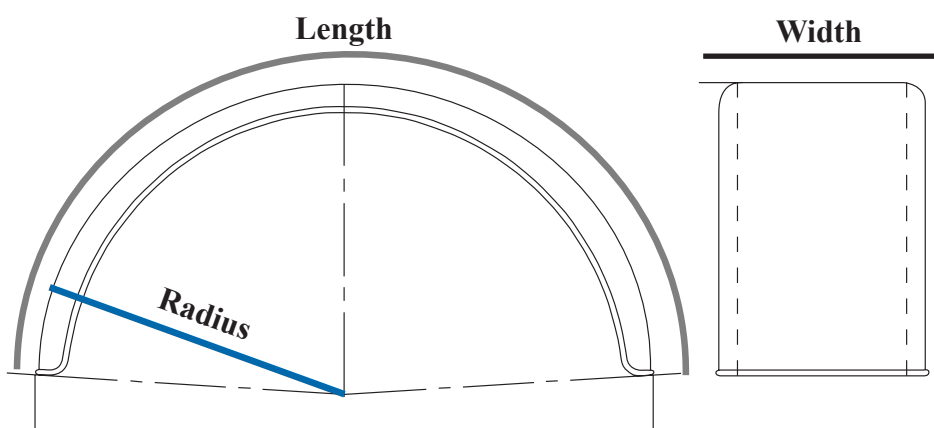
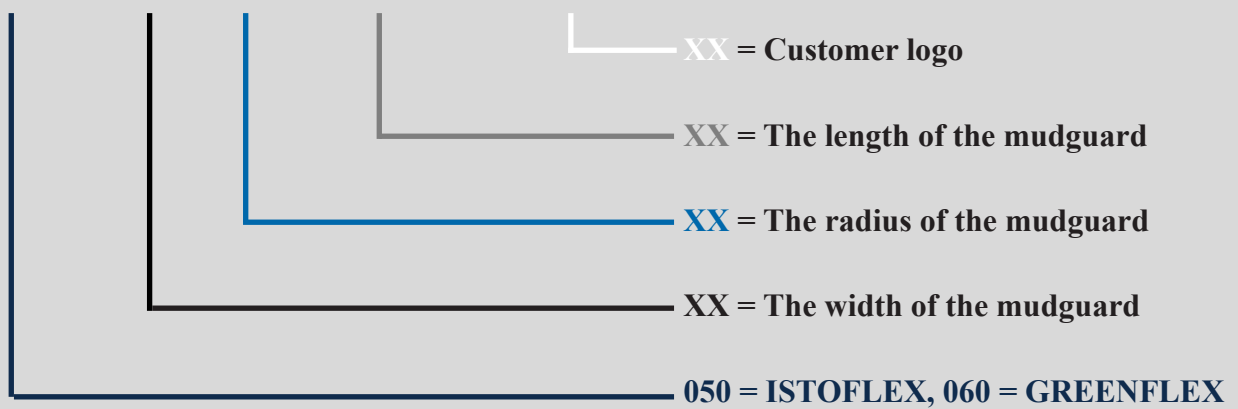
CONTENTS

Article NO.....	4
650 MM Radius Mudguard	6
610 MM Radius Mudguard	8
560 MM Radius Mudguard	9
500 MM Radius Mudguard	10
STEERFLEX.....	12
FLATFLEX.....	13
RIMFLEX.....	14
Holders.....	15
Stays.....	16
Technical Specifications.....	18



ARTICLE NO.

060-45651960-XX



The article number of HBN mudguards contains the type of material, dimensions, and many more details.

Above is explained how you easily identify your HBN mudguard.

As an example above, the article code 060-45651960 is used.

DETAILED DESCRIPTION OVERVIEW:

-01	Mudguard w. slit for TOPFLEX holder	-AC1	Antispray with CUPFLEX, other position
-01AC	With slit for TOPFLEX and CUPFLEX	-ACX	Antispray with bolts/nuts
-15AC	With slit for TOPFLEX, Antispray with CUPFLEX	-9	Mega pallet 2400 mm (Trailer)
-02	With slit for TOPFLEX, other position	-99	Mega pallet 2200 mm (Container)
-10	Mounted with TOPFLEX holder	-192	With steel TOPFLEX holder
-016	With slit for MAXFLEX holder	-150	With MAXFLEX, mega pallet
-0160	With slit for MAXFLEX, other pos.	-160	W. holes for MAXFLEX & CUPFLEX
-19	RIMFLEX w. black steel TOPFLEX	-65	Mounted with EASYFLEX
-100	Mounted with MAXFLEX holder	-0AC	With holes for CUPFLEX
-200	With MAXFLEX and Profile,	-11	With TOPFLEX, other position
-200AC	With MAXFLEX, Profile, Antispray	-21	With Profile and TOPFLEX, other pos.
-20	TOPFLEX with Profile	-P	In plastic bag
-30	With Profile	-57	RIMFLEX not mounted
-A	Antispray mounted with bolts/nuts	-58	RIMFLEX with holder
-AC	Antispray with CUPFLEX	-59	RIMFLEX with holder and antispray
-ACXX	Antispray with CUPFLEX and XX = Customer logo	-S	Mounted with mudflap

The article code basically consists of 11 digits, followed by a combination of additional codes to precisely identify each mudguard.

After the article code, a further description of a mudguard solution is included. The description can consist of a combination meaning that “10-AC” e.g. describes a solution with TOPFLEX holders and antispray mounted with CUPFLEX.

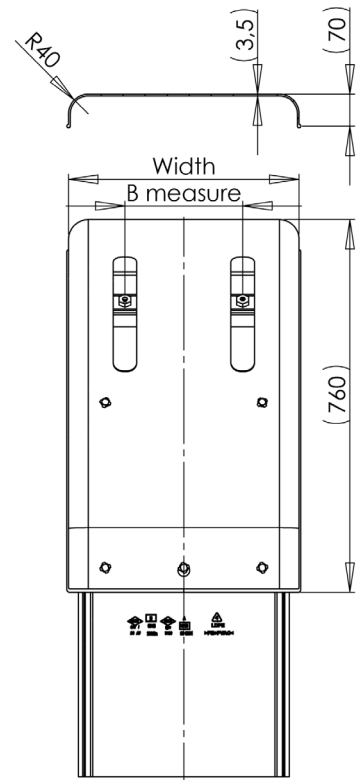
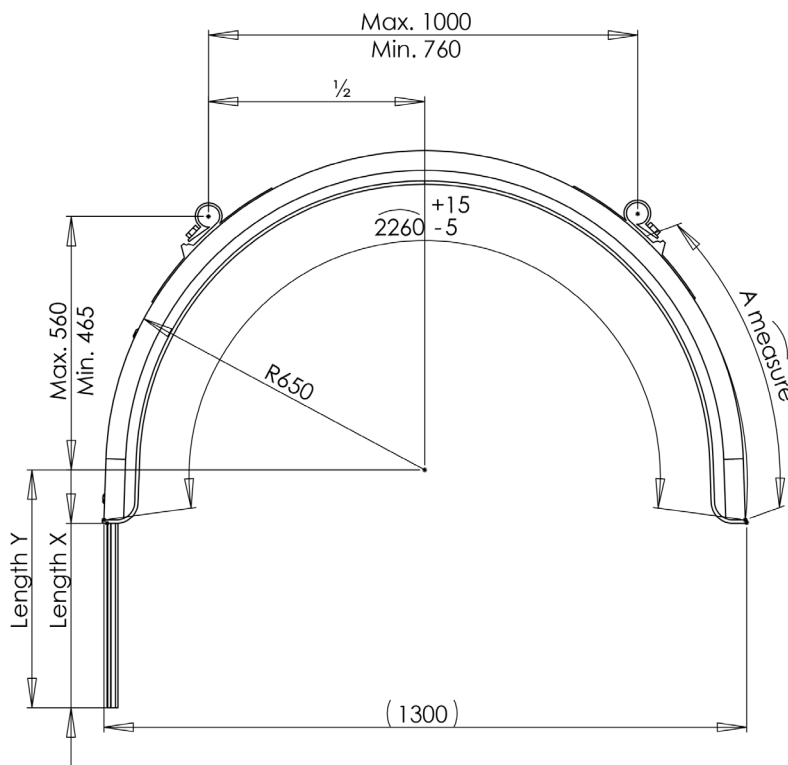
On the next pages, the standard HBN mudguard solutions are shown, but in case you cannot find a solution that fits your needs, you are always welcome to contact us:



sales@hbn.dk

650 MM RADIUS FULL MUDGUARD

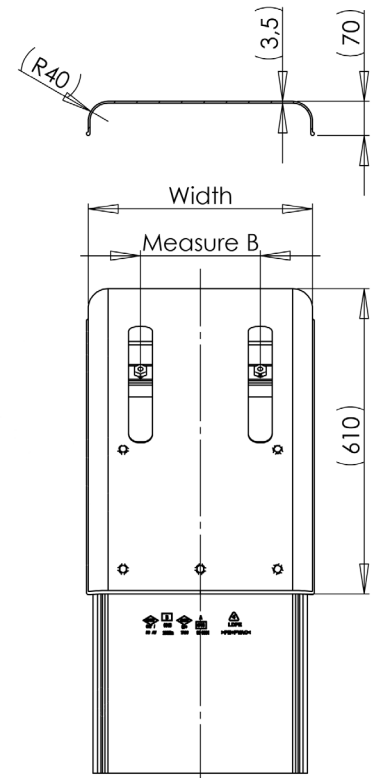
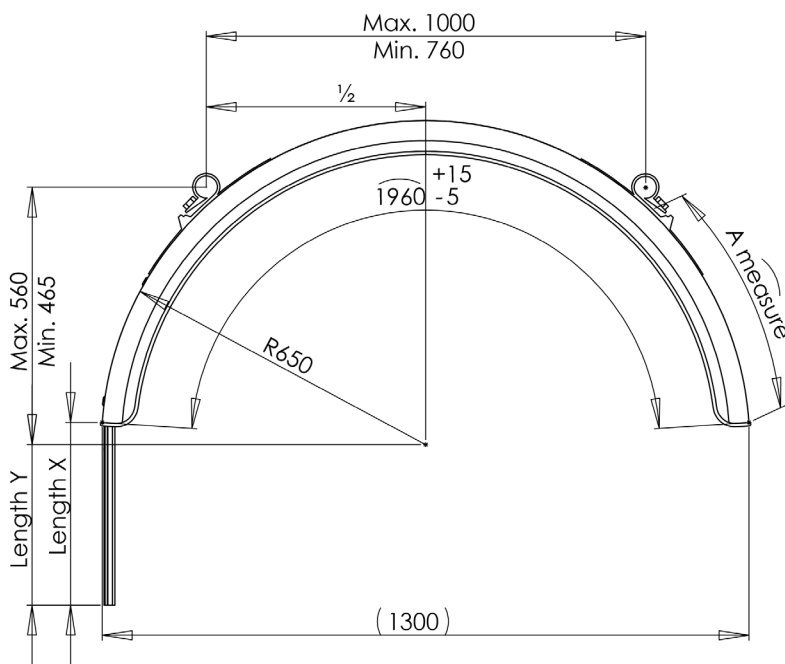
2260 mm length



ARTICLE NUMBER	ANTI-SPRAY W. CUPLEX	X-LENGTH mm	Y-LENGTH mm	A mm	B mm
37652260-10AC	091-414079	300	409	630	140
42652260-10AC	091-414080	300	409	630	240
47652260-10AC	091-434781	370	479	630	240
67652260-10AC	091-663372	230	339	630	300
70652260-10AC	091-683481	240	349	630	300

650 MM RADIUS FULL MUDGUARD

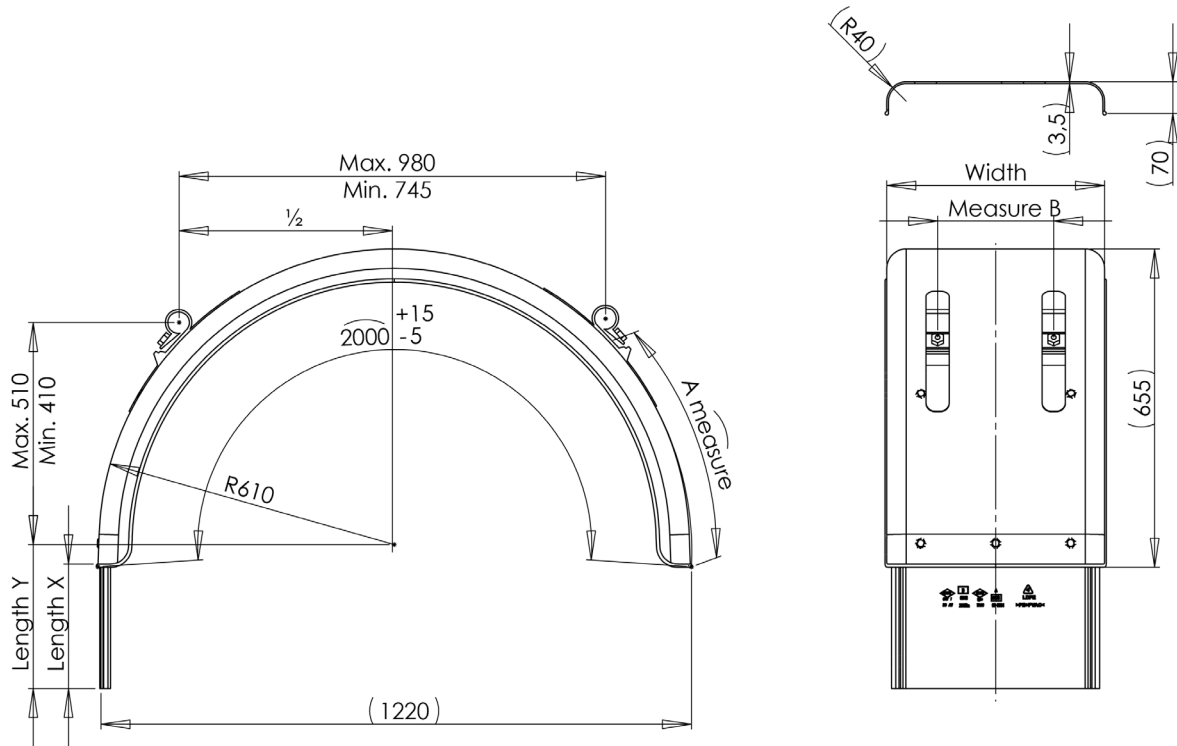
1960 mm length



ARTICLE NUMBER	ANTI-SPRAY W. CUPFLEX	X-LENGTH mm	Y-LENGTH mm	A mm	B mm
45651960-10AC	091-434671	360	315	480	240
55651960-10AC	091-555276	420	375	480	240
60651960-10AC	091-554372	330	285	480	300
65651960-10AC	091-634474	340	295	480	300

610 MM RADIUS FULL MUDGUARD

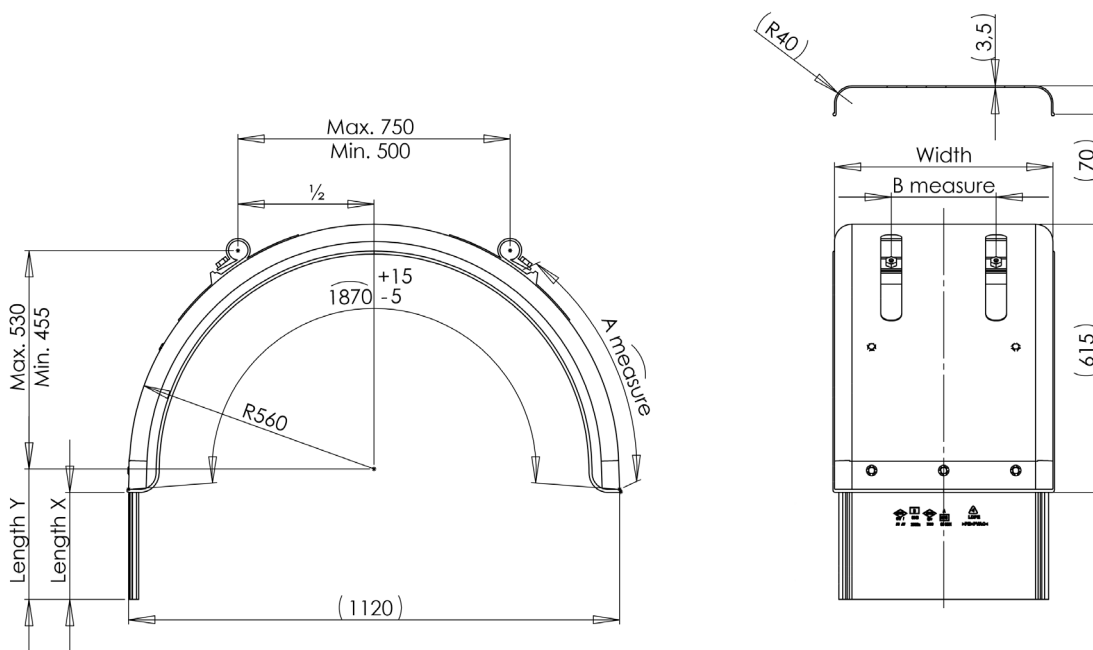
2000 mm length



ARTICLE NUMBER	ANTI-SPRAY W. CUPFLEX	X-LENGTH mm	Y-LENGTH mm	A mm	B mm
40612000-10AC	091-414079	300	345	500	140
45612000-10AC	091-433567	250	295	500	240
62612000-10AC	091-633565	250	295	500	300
65612000-10AC	091-633161	210	255	500	300

560 MM RADIUS FULL MUDGUARD

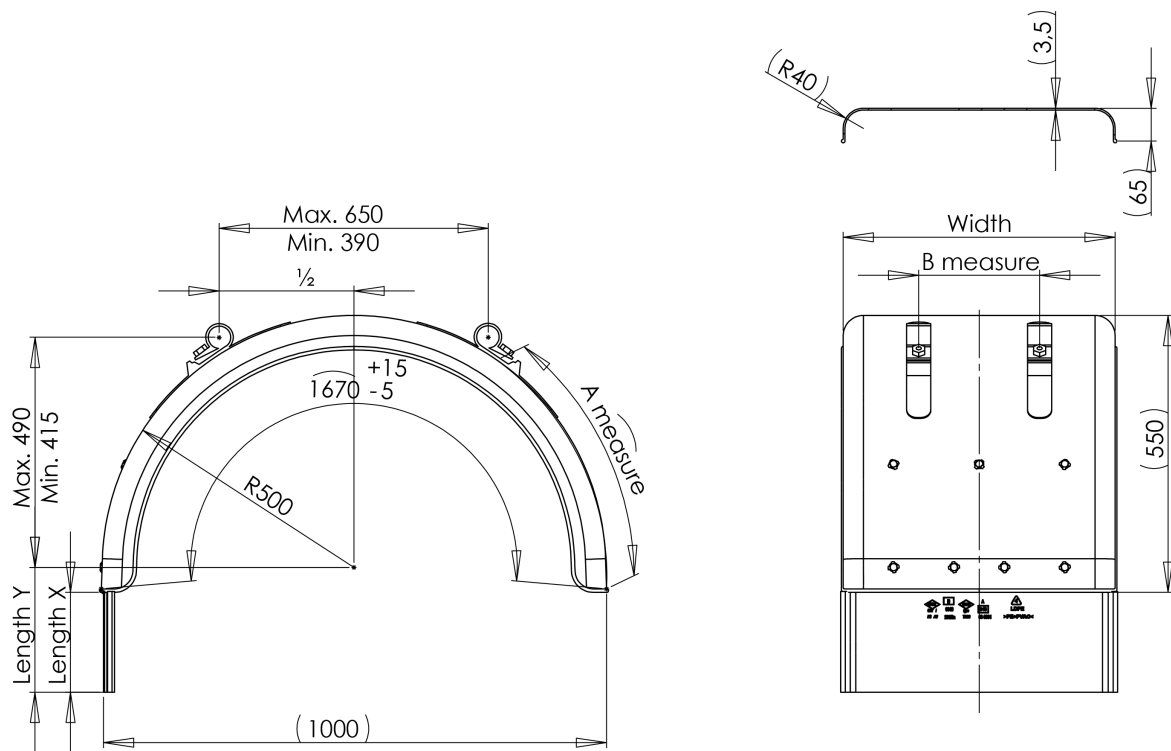
1870 mm length



ARTICLE NUMBER	ANTI-SPRAY W. CUPFLEX	X-LENGTH mm	Y-LENGTH mm	A mm	B mm
48561870-10AC	091-483564	250	295	575	240
55561870-10AC	091-553050	200	245	575	240
58561870-10AC	091-553050	200	245	575	240
60561870-10AC	091-554372	330	375	575	300
62561870-10AC	091-634474	340	385	575	300
65561870-10AC	091-634474	340	385	575	300

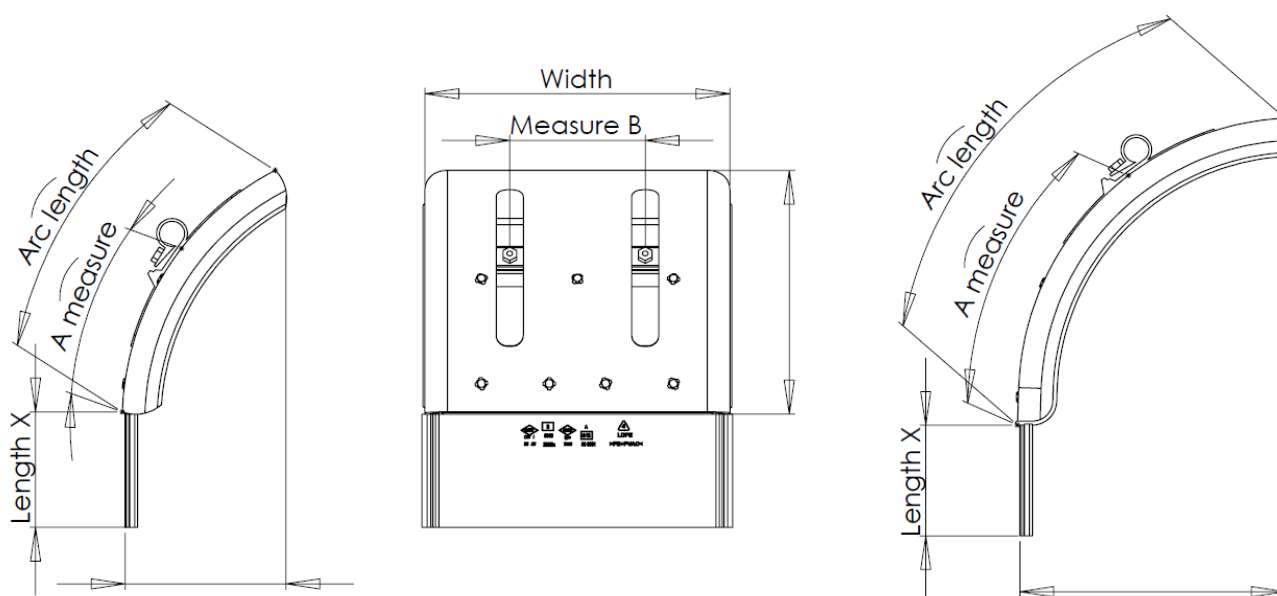
500 MM RADIUS FULL MUDGUARD

1670 mm length



ARTICLE NUMBER	ANTI-SPRAY W. CUPFLEX	X-LENGTH mm	Y-LENGTH mm	A mm	B mm
27501670-10	NA	NA	NA	535	140
32501670-10	NA	NA	NA	535	240
51501670-10AC	091-482348	130	180	535	240
54501670-10AC	091-553050	200	250	535	240

CUSTOMIZABLE SOLUTIONS



We also provide mudguards in different lengths to accommodate our customer's needs.

For example, we offer quarter mudguards and half mudguards that are cut in-house to maximize our supply chain.

The mudguards are also customizable in terms of holders, stays, antisprays, etc. On the next pages, you can read more about the different accessories.

At HBN-Teknik A/S we are always looking to create value for our customers. If you have any questions regarding your needs we are always ready to assist. Please feel free to reach out - we will try our best to find the ideal solution:

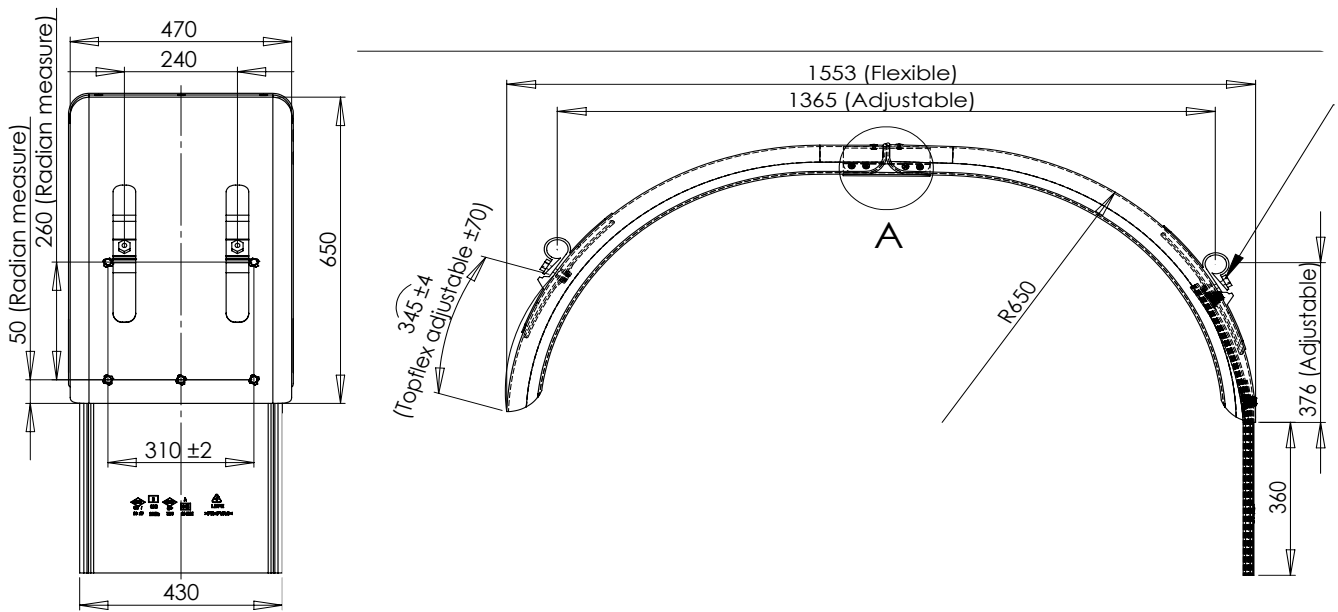
sales@hbn.dk

+45 57611700

www.hbn.dk

Mudguard suitable for steering axle

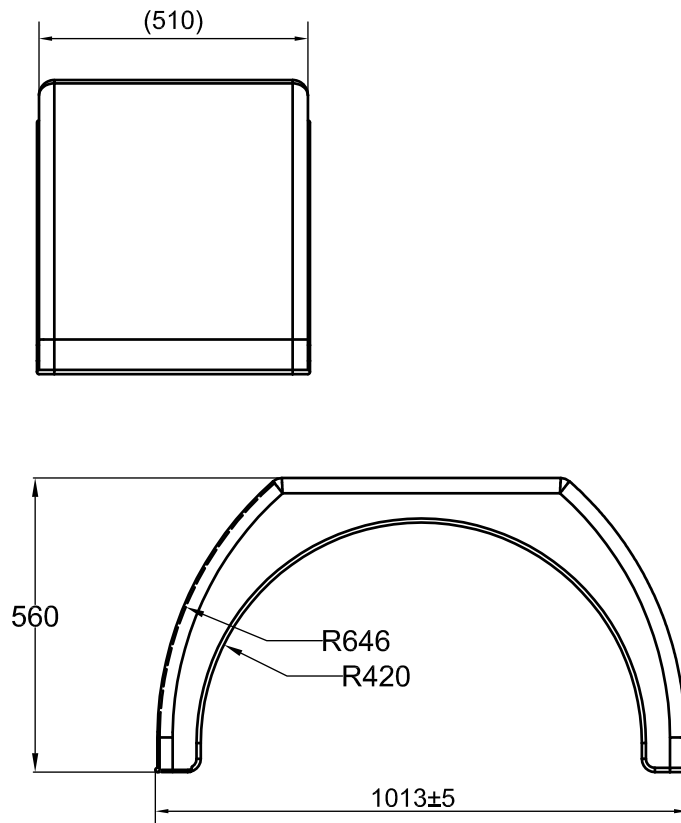
STEERFLEX



ARTICLE NUMBER	WIDTH (W) mm	RADIUS (R) mm	LENGTH (L) mm	SPAN (S) mm	WEIGHT kg
S 060-47652270-10AC	470	650	2270	1553	7,5

Flattop mudguard

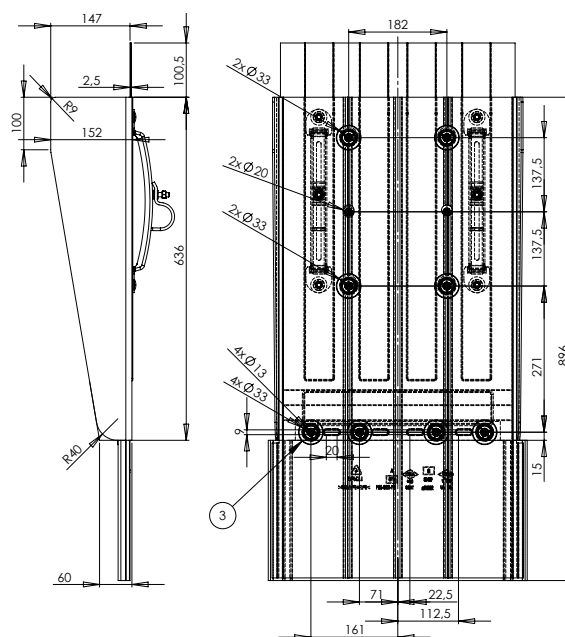
FLATFLEX



ARTICLE NUMBER	WIDTH (W) mm	RADIUS (R) mm	LENGTH (L) mm	SPAN (S) mm	WEIGHT kg
060-51001800	510	650	-	1013	4,0

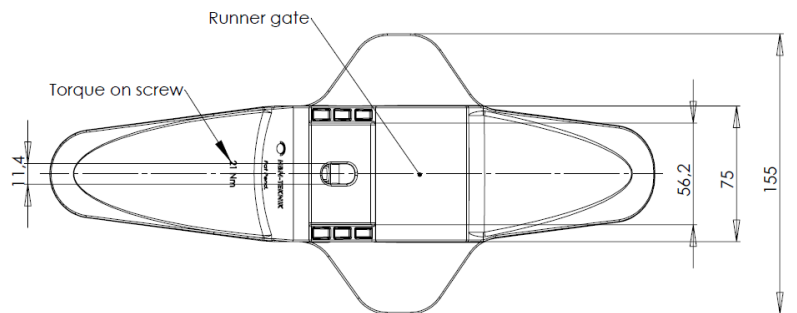
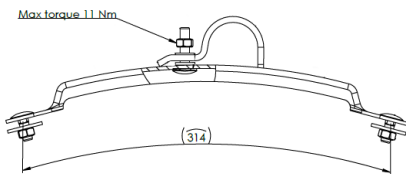
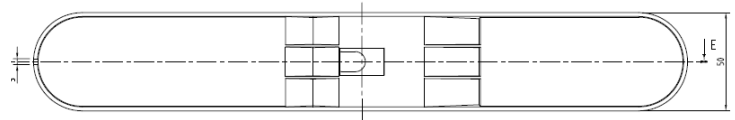
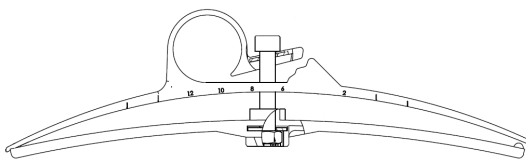
Solution for triple axles

RIMFLEX



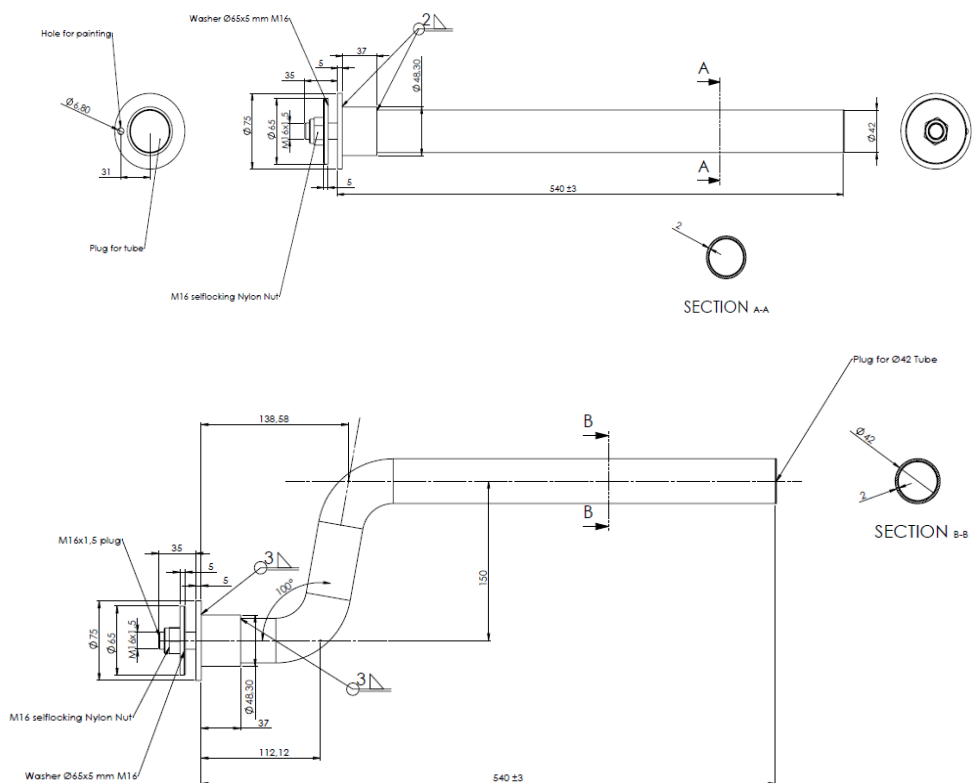
ARTICLE NUMBER	DESCRIPTION	WIDTH (W) mm	LENGTH (L) mm	WEIGHT kg	ABC-class
056-43020736	Spat mudguard, long	435	736	1,2	B

HOLDERS



ARTICLE NUMBER	DESCRIPTION	STAYS	MATERIAL
064-01	TOPFLEX holder	Ø40 & Ø42,4	Black polymer
069-01	MAXFLEX holder	Ø40 & Ø42,4	Black polymer
066-01	TOPFLEX holder	Ø42,4	Black-coated steel
066-01G	TOPFLEX holder	Ø42,4	Galvanized steel
066-02	TOPFLEX holder for RIMFLEX	Ø42,4	Black-coated steel
066-08G	TOPFLEX holder	Ø52	Galvanized steel

STAYS



ARTICLE NUMBER	DESCRIPTION	LENGTH (L) mm	DIAMETER (Ø) mm
076-5400 B	Black-coated stays, straight	540	420
076-5401 B	Black-coated stays, bended	540	420
076-6400 B	Black-coated stays, straight	640	420
076-6401 B	Black-coated stays, bended	640	420

WANT TO LEARN MORE?

Visit our website to find:



Mudguard Finder



Company Presentation



Distribution Network



Sales Channels



Contact Information



Product Information



www.HBN.dk

HBN MUDGUARDS TECHNICAL SPECIFICATIONS

MUDGUARD	ANTI-SPRAY	X-LENGTH mm	Y-LENGTH mm	A-MEASURE mm	B = DISTANCE BETWEEN TOPFLEX mm	WIDTH mm	HEIGHT MUD-WING mm	SPAN mm	ARC LENGTH mm	RADIUS mm	WEIGHT WITH ANTI-SPRAY kg	WEIGHT WITHOUT ANTI-SPRAY kg
Radius 650 mm												
37652260-10AC	091-414079	300	409	630	140	370	655	1220	2260	650	6,5	5,2
42652260-10AC	091-414080	300	409	630	240	420	655	1220	2260	650	6,8	5,8
47652260-10AC	091-434781	370	479	630	240	470	655	1220	2260	650	7,7	6,2
52652260-10AC*	091-483372	230	339	630	240	520	655	1220	2260	650	8,2	6,8
57652260-10AC*	(091-553372)	230	339	630	300	570	655	1220	2260	650	8,3	7,2
62652260-10AC*	(091-633372)	230	339	630	300	620	655	1220	2260	650	8,6	7,7
67652260-10AC	091-663372	230	339	630	300	670	655	1220	2260	650	9,9	8,1
70652260-10AC	091-683481	240	349	630	300	700	655	1220	2260	650	12,1	9,1
37651020-10AC*	091-414079	300		630	140	370	750	540	1020	650	3,6	2,3
42651020-10AC*	091-414080	300		630	240	420	750	540	1020	650	3,5	2,5
47651020-10AC*	091-434781	370		630	240	470	750	540	1020	650	4,2	2,7
52651020-10AC*	091-483372	230		630	240	520	750	540	1020	650	4,3	2,9
57651020-10AC*	(091-553372)	230		630	300	570	750	540	1020	650	4,2	3,1
62651020-10AC*	(091-633372)	230		630	300	620	750	540	1020	650	4,2	3,3
67651020-10AC*	091-663372	230		630	300	670	750	540	1020	650	5,2	3,4
70651020-10AC*	091-683481	240		630	300	700	750	540	1020	650	6,6	3,6
37650635-10AC*	091-414079	300		375	140	370	530	315	635	650	3,0	1,7
42650635-10AC*	091-414080	300		375	240	420	530	315	635	650	2,8	1,8
47650635-10AC*	091-434781	370		375	240	470	530	315	635	650	3,4	1,9
52650635-10AC*	091-483372	230		375	240	520	530	315	635	650	3,4	2,0
57650635-10AC*	091-554372	330		375	300	570	530	315	635	650	3,2	2,1
62650635-10AC*	091-634474	340		375	300	620	530	315	635	650	3,1	2,2
67650635-10AC*	091-663372	230		375	300	670	530	315	635	650	4,1	2,3
70650635-10AC*	091-683481	240		375	300	700	530	315	635	650	5,5	2,5
45651960-10AC	091-434671	360	315	480	240	450	610	1300	1960	650	6,8	5
55651960-10AC	091-555276	420	375	480	240	550	610	1300	1960	650	7,9	5,5
60651960-10AC	091-554372	330	285	480	300	600	610	1300	1960	650	7,9	6,2
65651960-10AC	091-634474	340	295	480	300	650	610	1300	1960	650	8,5	6,6
45650930-10AC*	091-434671	360		480	240	450	610	580	930	650	4,3	2,5
55650930-10AC*	091-555276	420		480	240	550	610	580	930	650	5,2	2,8
60650930-10AC*	091-554372	330		480	300	600	610	580	930	650	4,8	3,1
65650930-10AC*	091-634474	340		480	300	650	610	580	930	650	5,7	3,8
45650635-10AC*	091-434671	360		375	240	450	530	315	640	650	3,6	1,8
55650635-10AC*	091-555276	420		375	240	550	530	315	640	650	4,4	2
60650635-10AC*	091-554372	330		375	300	600	530	315	640	650	3,9	2,2
65650635-10AC*	091-634474	340		375	300	650	530	315	640	650	4,3	2,4
Radius 610 mm												
30612000-10*	NA	NA	NA	500	140	300	655	1220	2000	610		4,1
40612000-10AC	091-414079	300	345	500	140	400	655	1220	2000	610	6,2	4,9
45612000-10AC	091-433567	250	295	500	240	450	655	1220	2000	610	6,4	5,2
50612000-10AC*	091-483564	250	295	500	240	500	655	1220	2000	610	6,8	5,6
60612000-10AC	091-554372	330	375	500	300	600	655	1220	2000	610	8,2	6,5
62612000-10AC	091-633565	250	295	500	300	620	655	1220	2000	610	8,6	6,6
65612000-10AC	091-633161	210	255	500	300	650	655	1220	2000	610	8,5	6,8
70612000-10AC*	091-685174	410	455	500	300	700	655	1220	2000	610	9,5	7,6
30610910-10*	NA	NA		500	140	300	650	515	910	610		2,1
40610910-10AC	091-414079	300		500	140	400	650	515	910	610	3,8	2,5
45610910-10AC	091-433567	250		500	240	450	650	515	910	610	4,0	2,6
50610910-10AC*	091-483564	250		500	240	500	650	515	910	610	4,4	2,8
60610910-10AC	091-554372	330		500	300	600	650	515	910	610	5,8	3,3
62610910-10AC	091-633565	250		500	300	620	650	515	910	610	6,2	3,3
65610910-10AC	091-633161	210		500	300	650	650	515	910	610	6,1	3,4
70610910-10AC*	091-685174	410		500	300	700	650	515	910	610	7,1	3,8
30610630-10*	NA	NA		375	140	300	510	330	630	610		1,4
40610630-10AC*	091-414079	300		375	140	400	510	330	630	610	3,0	1,7
45610630-10AC*	091-433567	250		375	240	450	510	330	630	610	3,0	1,8
50610630-10AC*	091-483564	250		375	240	500	510	330	630	610	3,2	2,0
60610630-10AC*	091-554372	330		375	300	600	510	330	630	610	4,0	2,3
62610630-10AC*	091-633565	250		375	300	620	510	330	630	610	4,3	2,3
65610630-10AC*	091-633161	210		375	300	650	510	330	630	610	4,1	2,4
70610630-10AC*	091-685174	410		375	300	700	510	330	630	610	4,6	2,7

MUDGUARD	ANTI-SPRAY	X-LENGTH mm	Y-LENGTH mm	A-MEA-SURE mm	B = DISTANCE BETWEEN TOPFLEX mm	WIDTH mm	HEIGHT MUD- WING mm	SPAN mm	ARC LENGTH mm	RADIUS mm	WEIGHT WITH ANTI- SPRAY kg	WEIGHT WITHOUT ANTI- SPRAY kg
Radius 560 mm												
27561870-10*	NA	NA	NA	575	140	270	615	1120	1870	560		3,4
30561870-10*	NA	NA	NA	575	140	300	615	1120	1870	560		3,7
35561870-10*	NA	NA	NA	575	140	350	615	1120	1870	560		3,9
48561870-10AC	091-483564	250	295	575	240	480	615	1120	1870	560	6,2	4,8
50561870-10AC*	091-483059	200	245	575	240	500	615	1120	1870	560	6,1	5
53561870-10AC*	091-483564	250	295	575	240	530	615	1120	1870	560	6,3	5,1
55561870-10AC	091-553050	200	245	575	240	550	615	1120	1870	560	6,5	5,3
58561870-10AC	091-553050	200	245	575	240	580	615	1120	1870	560	6,7	5,5
60561870-10AC	091-554372	330	375	575	300	600	615	1120	1870	560	7,3	5,6
62561870-10AC	091-634474	340	385	575	300	620	615	1120	1870	560	8	6,1
65561870-10AC	091-634474	340	385	575	300	650	615	1120	1870	560	8,4	6,5
27560910-10*	NA	NA		500	140	270	615	540	910	560		2,2
30560910-10*	NA	NA		500	140	300	615	540	910	560		2,4
35560910-10*	NA	NA		500	140	350	615	540	910	560		2,5
48560910-10AC	091-483564	250		500	240	480	615	540	910	560	4,3	2,9
50560910-10AC*	091-483059	200		500	240	500	615	540	910	560	4,1	3
53560910-10AC*	091-483564	250		500	240	530	615	540	910	560	4,3	3,1
55560910-10AC*	091-553050	200		500	240	550	615	540	910	560	4,4	3,2
58560910-10AC*	091-553050	200		500	240	580	615	540	910	560	4,5	3,3
60560910-10AC*	091-554372	330		500	300	600	615	540	910	560	5	3,3
62560910-10AC*	091-634474	340		500	300	620	615	540	910	560	5,5	3,6
65560910-10AC*	091-634474	340		500	300	650	615	540	910	560	5,7	3,8
27560605-10*	NA	NA		350	140	270	490	330	605	560		1,4
30560605-10*	NA	NA		350	140	300	490	330	605	560		1,4
35560605-10*	NA	NA		350	140	350	490	330	605	560		1,5
48560605-10AC*	091-483564	250		350	240	480	490	330	605	560	3,2	1,8
50560605-10AC*	091-483059	200		350	240	500	490	330	605	560	2,9	1,8
53560605-10AC*	091-483564	250		350	240	530	490	330	605	560	3,1	1,9
55560605-10AC*	091-553050	200		350	240	550	490	330	605	560	3,1	1,9
58560605-10AC*	091-553050	200		350	240	580	490	330	605	560	3,2	2
60560605-10AC*	091-554372	330		350	300	600	490	330	605	560	3,7	2
62560605-10AC*	091-634474	340		350	300	620	490	330	605	560	4,1	2,2
65560605-10AC*	091-634474	340		350	300	650	490	330	605	560	4,2	2,3
Radius 500 mm												
27501670-10	NA	NA	NA	535	140	270	550	1000	1670	500		2,9
32501670-10	NA	NA	NA	535	140	320	550	1000	1670	500		3,2
40501670-10AC*	091-414079	300	350	535	140	400	550	1000	1670	500	4,8	3,5
51501670-10AC	091-482348	130	180	535	240	510	550	1000	1670	500	5	4,1
54501670-10AC	091-553050	200	250	535	240	540	550	1000	1670	500	5,5	4,3
27500815-10*	NA	NA		500	140	270	550	470	815	500		2
32500815-10*	NA	NA		500	140	320	550	470	815	500		2,1
40500815-10AC*	091-414079	300		500	140	400	550	470	815	500	3,6	2,3
51500815-10AC*	091-482348	130		500	240	510	550	470	815	500	3,5	2,6
54500815-10AC*	091-553050	200		500	240	540	550	470	815	500	3,9	2,7
27500530-10*	NA	NA		275	140	270	430	285	530	500		1,6
32500530-10*	NA	NA		275	140	320	430	285	530	500		1,7
40500530-10AC*	091-414079	300		275	140	400	430	285	530	500	3,2	1,9
51500530-10AC*	091-482348	130		275	240	510	430	285	530	500	3,1	2,2
54500530-10AC*	091-553050	200		275	240	540	430	285	530	500	3,5	2,3
Radius 400mm												
20401285*						200	415	800	1285	400		1
22401285*						220	415	800	1285	400		1,1
24401285*						240	415	800	1285	400		1,2
26401285*						260	415	800	1285	400		1,6
42401285*						420	415	800	1285	400		1,9
45401285*						450	415	800	1285	400		2

* Request for quotation



HBN-Teknik A/S

**Bragesvej 16
4100 Ringsted
Denmark**

www.hbn.dk

The brands of the BPW Group

